

A SERIES UNIVERSAL FLUORESCENT RETROFIT KIT 8 ft. SADDLE BRACKET SOCKET BARS FOR USE WITH 4 T5 LAMPS

Kit # A244-UNV-T5

Convert an existing 8 ft. two lamp high output T-12 strip or industrial fixture to an 8 ft. fixture with four T5 lamps in tandem.

The conversion kit is designed to fasten to the existing 8 ft. long by 4 in. to 5 in. wide fixture body.

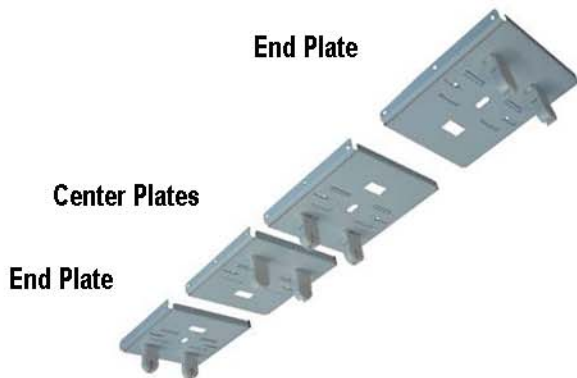
COMPONENTS

*Click on image to print
or save as PDF*



SPECIFICATIONS

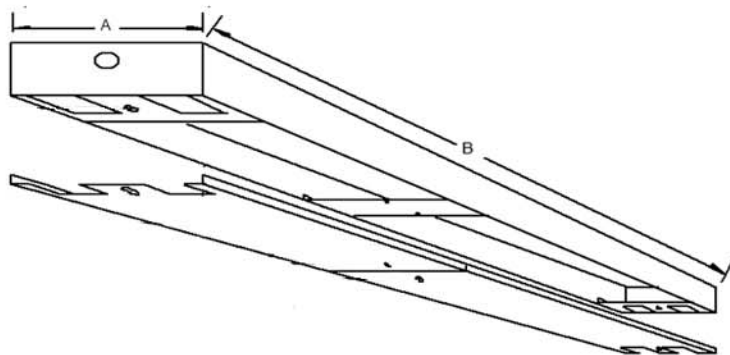
- 2 x End plates - Fixture white finished steel.
- 2 x Center plates - Fixture white finished steel.
- 8 x Sockets - Bi-pin locking type. (Non-shunted unless otherwise specified)
- Wiring - Color-coded leads #18 TEW solid wire.
- Hardware - Self drilling tech screws
- Approvals - C.S.A. & UL certified.



Individual point of sale packaging available for stocking distributors

KIT TYPE VERIFICATION PROCEDURE

Check critical dimensions of the fixture you're retrofitting by contacting JAFtech for verification of the correct application.



- Overall width of fixture housing. **A = 4 in. (102 mm) to 5 in. (127 mm)**
- Overall length of fixture housing. **B = 96 in. (2440 mm)**