

B SERIES UNIVERSAL FLUORESCENT RETROFIT KIT 4 ft. SADDLE BRACKET SOCKET BARS FOR USE WITH 1 T5 LAMP

Kit # B214-UNV-ALU-REF-T5

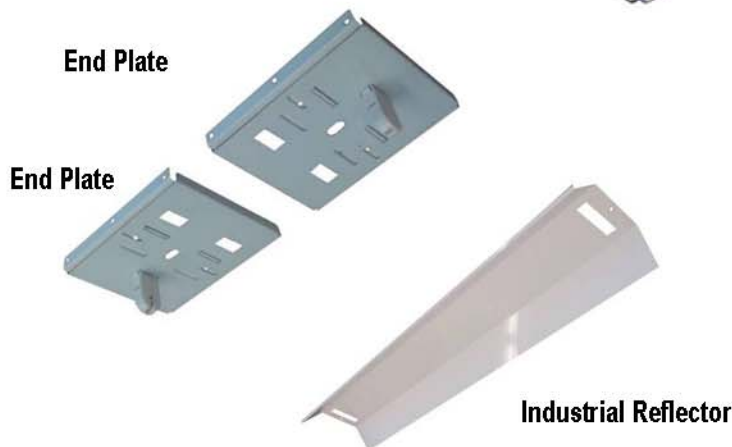
Convert an existing 4 ft. two lamp T-12 strip or industrial fixture to a 4 ft. fixture with one T5 lamp. The conversion kit is designed to fasten to the existing 4 ft. long by 4 in. to 5 in. wide fixture body.

SPECIFICATIONS

- 1 x Industrial reflector - Ballast grade 91% TR Aluminum c/w poly film protection
- 2 x End plates - Fixture white finished steel.
- 2 x Sockets - Bi-pin locking type. (Non-shunted unless otherwise specified)
- Wiring - Color-coded leads #18 TEW solid wire.
- Hardware - Self drilling tech screws - 1/4 turn ballast cover fasteners
- Approvals - C.S.A. & UL certified.

COMPONENTS

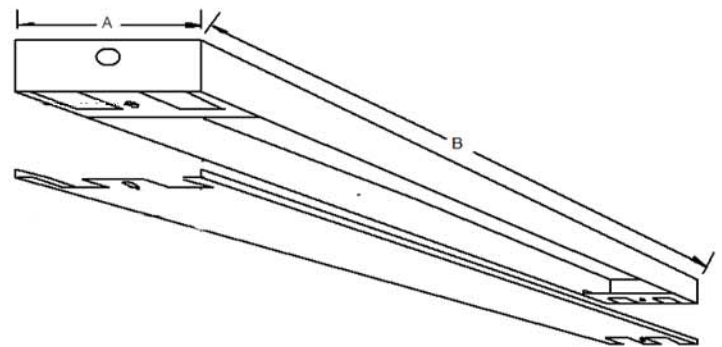
*Click on image to print
or save as PDF*



Individual point of sale packaging
available for stocking distributors

KIT TYPE VERIFICATION PROCEDURE

Check critical dimensions
of the fixture you're
retrofitting by contacting
JAFtech for verification
of the correct application.



- Overall width of fixture housing. **A = 4 in. (102 mm) to 5 in. (127 mm)**
- Overall length of fixture housing. **B = 48 in. (2440 mm)**