

## B SERIES UNIVERSAL FLUORESCENT RETROFIT KIT 4 ft. SADDLE BRACKET SOCKET BARS FOR USE WITH 1 T5 LAMP

### Kit # B214-UNV-T5

Convert an existing 4 ft. two lamp T-12 strip or industrial fixture to a 4 ft. fixture with one T5 lamp. The conversion kit is designed to fasten to the existing 4 ft. long by 4 in. to 5 in. wide fixture body.

### COMPONENTS

*Click on image to print  
or save as PDF*



### SPECIFICATIONS

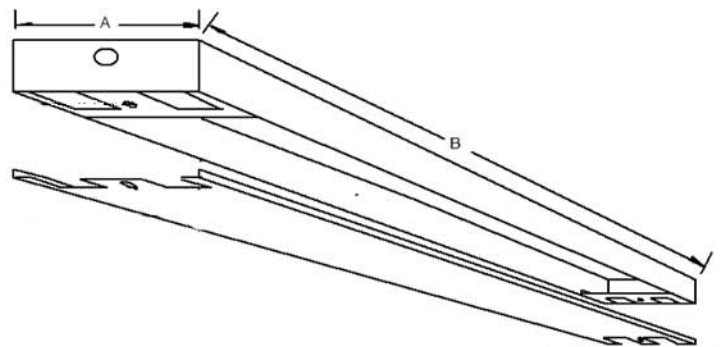
- 2 x End plates - Fixture white finished steel.
- 2 x Sockets - Bi-pin locking type. (Non-shunted unless otherwise specified)
- Wiring - Color-coded leads #18 TEW solid wire.
- Hardware - Self drilling tech screws
- Approvals - C.S.A. & UL certified.



Individual point of sale packaging  
available for stocking distributors

### KIT TYPE VERIFICATION PROCEDURE

Check critical dimensions  
of the fixture you're  
retrofitting by contacting  
JAFtech for verification  
of the correct application.



- Overall width of fixture housing. **A = 4 in. (102 mm) to 5 in. (127 mm)**
- Overall length of fixture housing. **B = 48 in. (2440 mm)**