

F300 JAFIte FIXTURE SERIES

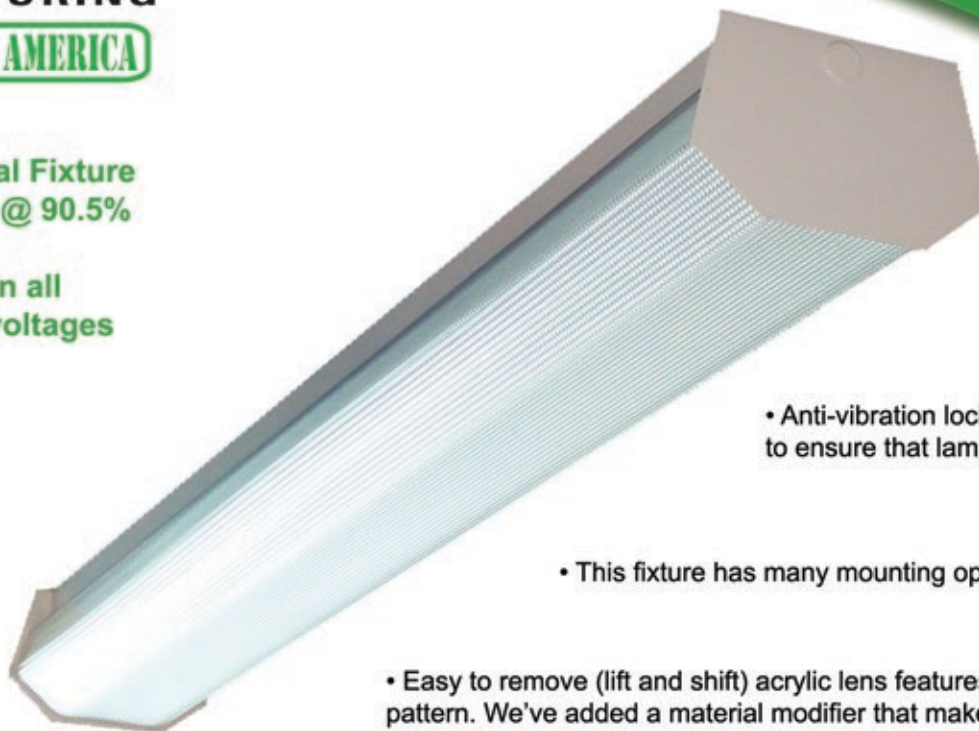
WRAP-AROUND

JAFtech

MANUFACTURING

MADE IN NORTH AMERICA

- ★ Exceptional Fixture Efficiency @ 90.5%
- ★ Available in all standard voltages
- ★ CSA/UL certified



• Anti-vibration locking sockets to ensure that lamps are secure

• This fixture has many mounting options

• Easy to remove (lift and shift) acrylic lens features a K19 lens pattern. We've added a material modifier that makes it exceptionally strong and flexible



Fixture Description and Applications

All fixtures emit lumens, but only a select few have been designed to get the majority of those lumens to where they are needed: the workplace.

Getting lumens to the workplace is where the F300 Fixture Series excels. It tips the efficiency scale at 90.5%, meaning that 90.5% of the light that is produced emits out of the fixture. Less trapped light means that you get brighter spaces and this can also lead to fewer fixtures needed.

For use in institutions, hospitals, schools and commercial facilities.

CANADA:
250 Harry Walker Parkway North, Units 1 & 2,
Newmarket, Ontario, L3Y 7B4, CANADA
Telephone: (905) 836-8311

www.jaftech.com
Toll Free Number:
1-888-JAFtech (523- 8324)
Fax: (905) 836-2870

UNITED STATES:
6399 142 Ave North, Suite 118,
Clearwater, Florida, 33760, UNITED STATES
Telephone: (727) 408-5294

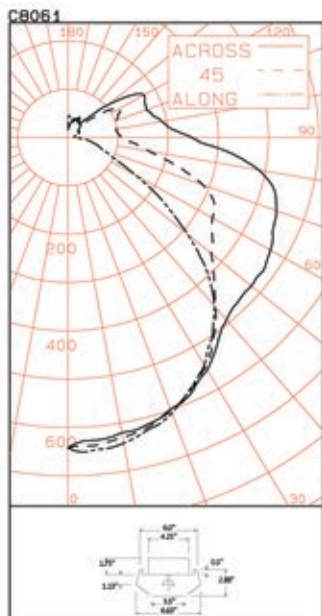
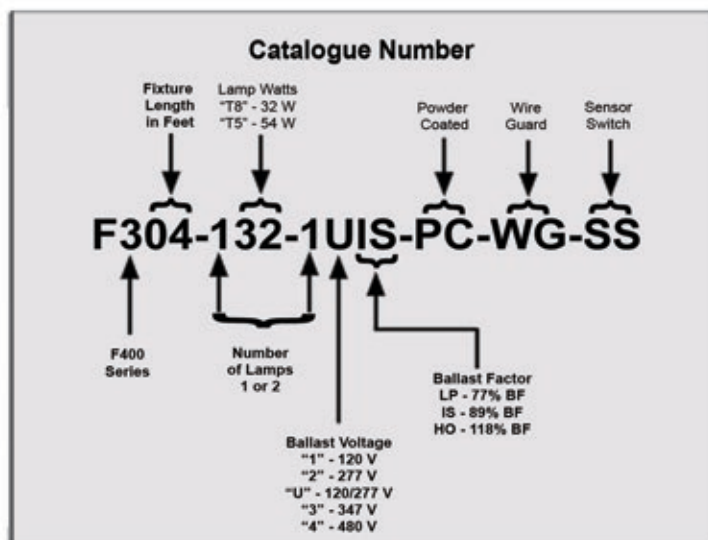
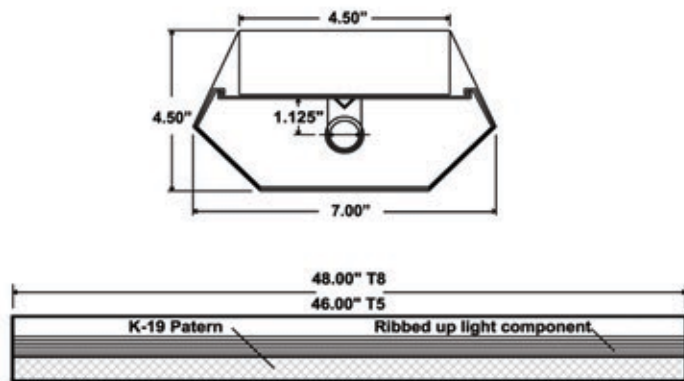
F300 JAFlite Fixture Series

Specification Features

- **Construction** - Light-weight welded steel construction. Damage resistant acrylic lens with 19% up-light component
- **Reflectors** - High reflectance white
- **Ballast Information** - All standard ballast factor options. Fixture comes with ballast disconnect where required by CSA/UL.
- **Mounting** - Ideal for walls, ceilings, row or pendant mounting
- **Certification** - CSA/UL certified.

Fixture Options

- **Available in:**
 - 1 lamp configuration - From 2 feet to 16 linear feet
 - 2 lamp configuration - From 2 feet to 8 linear feet
- **Available in custom colors** (see JAFtech color chart)
- **Available with T5 or T8 lamps**
- **Occupancy and/or daylight harvesting sensors**
- **Integral emergency lighting**
- **White powder coated wire guards**



LIGHTING SCIENCES CANADA LTD.

440 Phillip St., Unit 19, Waterloo, Ontario, Canada N2L 5R9
 Tel: (519) 746-3140 Fax: (519) 746-3156 lsc@lightingsciences.ca

CERTIFIED TEST REPORT NO. LSC061
 COMPUTED BY LSC PROGRAM **TEST-LITE**

JAFTECH 4" WRAPAROUND INDOOR FLUORESCENT FIXTURE CAT. NO. F304-132-1UIS-PC
 WITH WHITE PAINTED INTERIOR AND DROP ACRYLIC LENS
 ONE 32W F32T8 4100K T8 FLUORESCENT LAMP, LUMEN RATING = 2950 LMS.
 OSRAM SYLVANIA 120V QUICKTRONIC 1-LAMP ELECTRONIC BALLAST NO. QT 1w32/12018

Fixture Efficiency 90.5%

** EFFICIENCY = 90.5% **

LUMINANCE SUMMARY-CD. / SQ. M.

ANGLE	ALONG	45	ACROSS
45	2562	2155	2316
55	1868	2085	2550
65	1095	2287	2798
75	1085	2062	3274
85	1540	1806	3297

PAINT REFLECTANCE = .93 S/MS = 1.3
 SC(ALONG) = 1.2, SC(ACROSS) = 1.3

CERTIFIED BY: *Charles Sison* DATE: FEB 21, 2000
 PREPARED FOR: JAFTECH MANUFACTURING LTD.
 NEWMARKET, ONTARIO

TESTED ACCORDING TO IES PROCEDURES. TEST DISTANCE EXCEEDS FIVE TIMES THE GREATEST LUMINOUS OPENING OF LUMINAIRE.

CANDLEPOWER SUMMARY

ANGLE	ALONG	22.5	45	67.5	ACROSS	OUTPUT LUMENS
0	642	642	642	642	642	
5	648	640	640	637	629	62
15	625	617	620	619	615	175
25	576	572	578	580	583	266
35	502	497	507	513	520	317
45	393	378	412	454	480	324
55	232	261	352	437	477	314
65	100	151	322	425	451	291
75	61	81	225	390	427	245
85	29	55	132	254	315	167
90	15	46	110	194	247	
95	11	44	100	169	207	118
105	18	41	96	163	176	106
115	25	55	110	161	169	106
125	25	48	97	138	150	82
135	36	37	43	54	61	38
145	38	46	42	42	36	26
155	40	41	42	42	42	19
165	38	40	33	37	34	10
175	44	40	29	22	26	3
180	30	30	30	30	30	

ZONE	LUMENS	% LAMP	% LUMINAIRE
0-30	501	17.01	18.80
0-40	818	27.74	30.67
0-60	1456	49.39	54.59
0-90	2160	73.24	80.96
40-90	1342	45.50	50.29
60-90	703	23.85	26.37
90-180	508	17.23	19.04
0-180	2668	90.47	100.00

CANADA:

250 Harry Walker Parkway North, Units 1 & 2,
 Newmarket, Ontario, L3Y 7B4, CANADA
 Telephone: (905) 836-9311

www.jaftech.com

Toll Free Number:

1-888-JAFtech (523- 8324)

Fax: (905) 836-2870

UNITED STATES:

6399 142 Ave North, Suite 118,
 Clearwater, Florida, 33760, UNITED STATES
 Telephone: (727) 408-5294