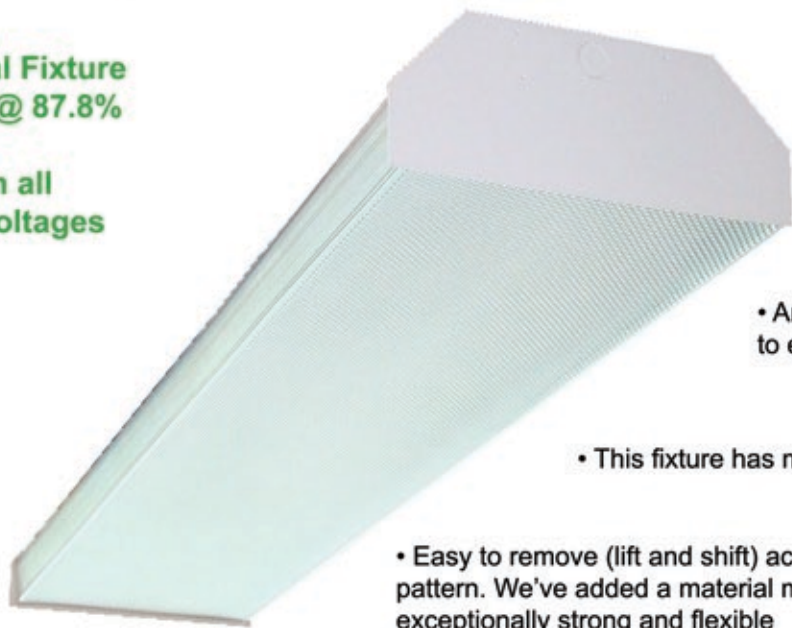


# F400 JAFIite FIXTURE SERIES

WRAP-AROUND



- ★ Exceptional Fixture Efficiency @ 87.8%
- ★ Available in all standard voltages
- ★ CSA/UL certified



- Anti-vibration locking sockets to ensure that lamps are secure
- This fixture has many mounting options
- Easy to remove (lift and shift) acrylic lens features a K12 lens pattern. We've added a material modifier that makes it exceptionally strong and flexible



## Fixture Description and Applications

JAFtech's F400 fixture series features a wide profile wrap-around design, making it perfect for use in institutions, hospitals, schools and commercial facilities.

The F400 Series line features an easy to remove, high-impact damage resistant lens. We also customize not only this fixture series but any JAFtech fixture. Just tell us your specific ballast and wiring configurations and we can build the fixture on your next project.

**CANADA:**  
250 Harry Walker Parkway North, Units 1 & 2,  
Newmarket, Ontario, L3Y 7B4, CANADA  
Telephone: (905) 836-9311

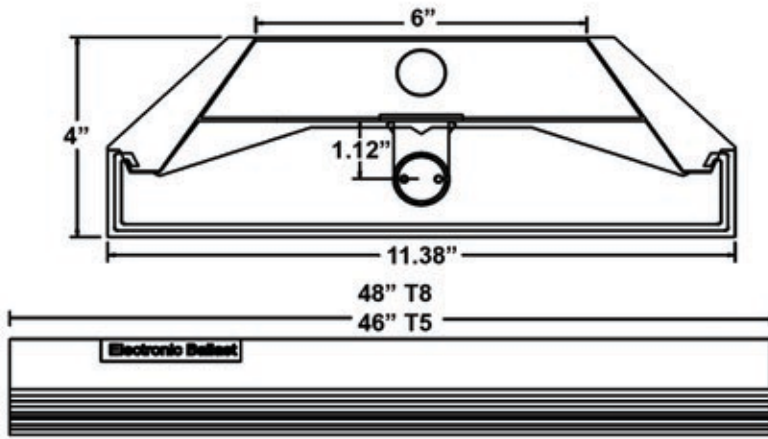
[www.jaftech.com](http://www.jaftech.com)  
Toll Free Number:  
**1-888-JAFtech (523- 8324)**  
Fax: (905) 836-2870

**UNITED STATES:**  
6399 142 Ave North, Suite 118,  
Clearwater, Florida, 33760, UNITED STATES  
Telephone: (727) 408-5294

# F400 JAFlite Fixture Series

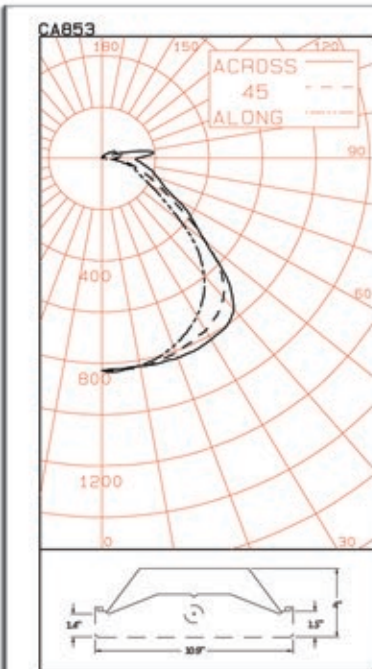
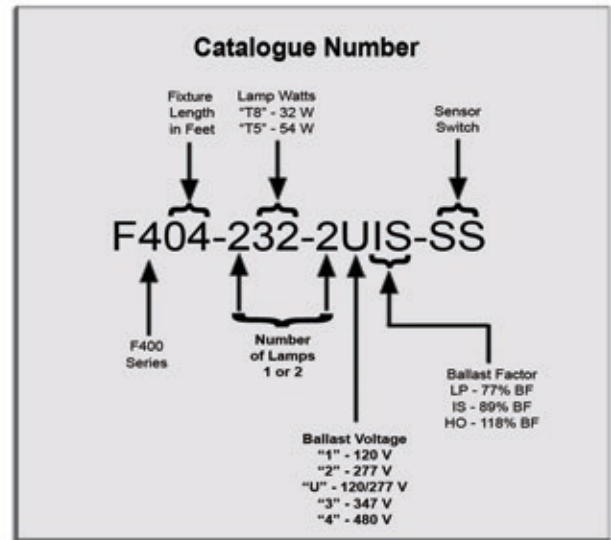
## Specification Features

- **Construction** - Light-weight welded steel construction. Damage resistant acrylic lens with 19% up-light component
- **Reflectors** - High reflectance white
- **Ballast Information** - All standard ballast factor options. Fixture comes with ballast disconnect where required by CSA/UL.
- **Mounting** - Ideal for ceilings, row or pendant mounting
- **Certification** - CSA/UL certified.



## Fixture Options

- **Available in:**
  - 1 lamp configuration - From 2 feet to 16 linear feet
  - 2 lamp configuration - From 2 feet to 8 linear feet
- **Available in custom colors** (see JAFtech color chart)
- **Available with T5 or T8 lamps**
- **Occupancy and/or daylight harvesting sensors**
- **Integral emergency lighting**



## LIGHTING SCIENCES CANADA LTD.

440 Phillip St., Unit 19, Waterloo, Ontario, Canada N2L 5R9  
Tel: (519) 746-3140 Fax: (519) 746-3156 lsc@lightingsciences.ca

CERTIFIED TEST REPORT NO. LSC A853  
COMPUTED BY LSC PROGRAM \*\*TEST-LITE\*\*  
JAFTECH 4' WRAPAROUND FLOURESCENT FIXTURE CAT. NO. F404-132-111S-PC  
WITH WHITE PAINTED REFLECTOR AND PRISMATIC WRAP LENS  
ONE 32W T8 FLOURESCENT LAMP - LUMEN RATING = 2950 LMS.  
ONE UNIVERSAL TRIAD 120V 1-LAMP ELECTRONIC BALLAST NO. B132I120RH-A

**Fixture Efficiency 87.8%**

LUMINANCE SUMMARY-CD. / SQ. FT.

ANGLE	ALONG	45	ACROSS
45	2125	2415	2438
55	1444	1736	1782
65	1121	1276	1384
75	1229	1073	1497
85	1031	1143	1856

\*\* EFFICIENCY = 87.8% \*\*

PAINT REFLECTANCE = .93 S/MH = 1.5  
SC(ALONG) = 1.3, SC(ACROSS) = 1.5

CERTIFIED BY: *Charles Seaton* DATE: AUG 30, 2005  
PREPARED FOR: JAFTECH MANUFACTURING LTD., NEWMARKET, ONTARIO

TESTED ACCORDING TO IES PROCEDURES. TEST DISTANCE EXCEEDS FIVE TIMES THE GREATEST LUMINOUS OPENING OF LUMINAIRE.

## CANDLEPOWER SUMMARY

ANGLE	ALONG	22.5	45	67.5	ACROSS	OUTPUT LUMENS
0	829	829	829	829	829	
5	832	824	827	826	825	80
15	806	802	816	828	827	230
25	748	758	791	817	826	363
35	661	689	748	791	805	461
45	507	557	630	671	660	462
55	280	318	382	410	411	329
65	160	181	219	231	255	212
75	107	106	128	164	197	145
85	30	38	71	115	140	85
90	0	9	46	101	130	
95	0	9	63	147	187	82
105	0	22	81	91	90	65
115	0	18	40	52	56	34
125	0	11	25	42	44	23
135	0	3	15	23	25	10
145	0	4	10	12	13	5
155	0	0	3	8	10	2
165	0	0	0	2	5	1
175	0	0	0	0	2	0
180	0	0	0	0	0	
ZONE	LUMENS	% LAMP	% LUMINAIRE			
0-30	673	22.83	26.00			
0-40	1134	38.45	43.79			
0-60	1925	65.27	74.32			
0-90	2367	80.26	91.40			
40-90	1233	41.81	47.61			
60-90	442	14.99	17.07			
90-180	222	7.56	8.60			
0-180	2590	87.82	100.00			

### CANADA:

250 Harry Walker Parkway North, Units 1 & 2,  
Newmarket, Ontario, L3Y 7B4, CANADA  
Telephone: (905) 836-9311

www.jaftech.com

Toll Free Number:

1-888-JAFtech (523- 8324)

Fax: (905) 836-2870

### UNITED STATES:

6399 142 Ave North, Suite 118,  
Clearwater, Florida, 33760, UNITED STATES  
Telephone: (727) 408-5294